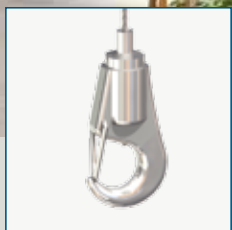
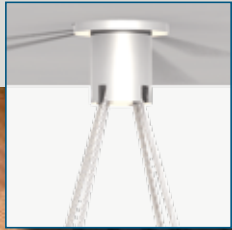


# Shop | Display

Individual suspension solutions  
for signs, presentation and shelves  
in shops & galleries



REUTLINGER<sup>®</sup>  
systematic suspension

## REUTLINGER - Specialists for cable attachments



Functionality and design:  
Cable holder systems of REUTLINGER

### From a traditional workshop into a global high-tech company

"Technology should help us reach our goals. Therefore REUTLINGER constantly strives for logic and simplicity in all our products. Each detail must be functional and each function must make sense."

For REUTLINGER this is not just a motto, but an obligation. In the year 1864 W.B. Reutlinger began with the industrial manufacture and processing of hemp rope and mechanical steel cable. Wolf Reutlinger, who has lead the company since 1987, continued this tradition of craftsmanship while initiating innovative processes which opened up new applications and markets.

### More than meets the eye

The use of REUTLINGER fastening attachments always results in permanent connections. This is the effect guaranteed by the self-locking mechanisms at the heart of our attachments. The elements devised specifically for this purpose are based on the following principle: the heavier the load – the greater the clamping force.

### For Safe Working Loads up to 400 kg

By continually expanding the range of our products we were able to dominate the world market for suspended lighting fixtures within a few years. Today we are proud to count virtually all producers of high-quality lighting fixtures – as well as the automobile industry, sign- and shelf-manufacturers, galleries and museums – among our regular customers.

### Customer demands – a constant incentive to innovate

Highly qualified employees, the use of modern CAD systems and fully automated production facilities allow us to consistently turn out innovative products of unvarying high quality. We individually develop and manufacture our products in close cooperation with our customers.

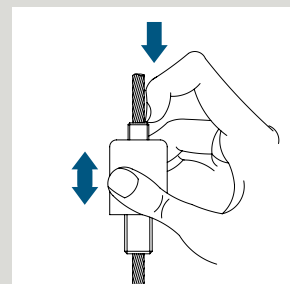
We put all our know-how at the disposal of our customers – from initial pre-planning to detailed construction and manufacture right up to final installation.



### Adjustment without tools

The basic principle of REUTLINGER cable holders is simple enough:

- A** The wire cable is threaded into the top of the holder.
- B** As soon as the holder settles on the cable it self-locks.



- C** Once the load has been taken off again, the holder can be moved up or down the cable to any desired new position.

Information on load capacity and safety instructions with each shipment, or download item at [www.reutlinger.de](http://www.reutlinger.de)

REUTLINGER: The only TÜV-GS certified cable holders.



The German TÜV is internationally respected as a rigorous testing institution that's highly trusted by producers and consumers – especially for technical products.

The highest and most comprehensive level of TÜV testing is GS-certification, denoting safe equipment, and recognizable by the well-known blue sticker.

REUTLINGER is the world's only manufacturer of cable suspension systems that has succeeded in complying with the demands of GS certification with every product line. Our promise: safety confirmed by the TÜV.

### Important Notice!

#### Cable diameters

When no other measurements are specified, we generally recommend the use of cable with 1.5 mm diameter. Further cable diameters available on demand or by consultation.

#### Product illustrations

all illustrations to original scale when not otherwise specified.

<b>System chart cable attachment / coupling</b>	<b>04</b>
<b>Suspension from ceiling</b>	<b>06</b>
Ceiling attachment .....	6
Ceiling track .....	8
Trackclips .....	10
Special items .....	12
<b>Tensioning ceiling / floor</b>	<b>13</b>
Tensioners and holders .....	13
Ceiling- / floor tracks .....	14
Ceiling track / banner weights .....	15
<b>Suspension on walls</b>	<b>16</b>
Gallery track .....	16
Hinged tensioner .....	18
Pull-out shelf support .....	19
<b>Tensioning on walls</b>	<b>20</b>
Tensioners and holders .....	20
<b>Attaching objects to cables   Displayholder ›Avant‹</b>	<b>21</b>
Display holders .....	21
Multiple – cable suspensions .....	29
Cable- and gallery holder .....	30
<b>Object attachment to vertical bars</b>	<b>26</b>
Display holder ›Side‹ .....	26
<b>Object attachment to walls</b>	<b>23</b>
Wall adapter for signs / displays .....	23
Pull-out wall hanger / pull-out wall hanger .....	31
<b>Shelf systems</b>	<b>32</b>
Basic installation system .....	32
Attachment of shelf to cable .....	34
<b>Cables and terminals</b>	<b>36</b>
<b>Accessories</b>	<b>38</b>
<b>Contact</b>	<b>40</b>

# System overview | Cable attachments & exhibit couplings

## Smart combinations make problem-solving easy

REUTLINGER attachment systems usually consist of suspended or tensioned wire-ropes to which the objects to be exhibited are attached by cable holders.

The following short overview is designed to help you decide which solution best suits your requirements.

### Attachment of cable system to walls or ceilings



#### Suspension from ceilings

The vertical cable is hung from the ceiling

#### Ceiling attachment

Fixed attaching of cables to ceilings

#### Ceiling track

Flexible attachment of cable to ceiling track

#### Track clips

Attachment of cables to horizontal braces of false ceilings



#### Tensioning between floors and ceilings

Vertical cable is tensioned between ceiling and floor

#### Tensioner/holder

Fixed attaching of cables to ceiling and floor

#### Ceiling- and floor-track

Flexible attaching of cable-ends to a ceiling-track and a floor-track

#### Tensioning with banner weights

Banner weights tension any suspension



#### Tensioning between walls

#### Tensioner / holder

Cable is tensioned horizontally or diagonally between walls



#### Suspension from walls

The vertical cable is hung from the ceiling

#### Gallery tracks

Flexible horizontal attachment of cables to walls

#### Hinged tensioner

Quick attaching of cables to walls

#### Extendable sign hanger

Fixed attaching of cables to an extension from the wall



#### Tensioning on walls

The vertical cable is tensioned between two attachments parallel to the wall

#### Hinged tensioner and holder

Fixed attaching of vertical or horizontal cables between hinged tensioner and hinged holder

## Shelving systems



### Tensioned shelves

A special form of on-the-wall tensioning. Tensioning of the cables necessary for attaching shelves to cables

## Attaching objects to walls



### Attaching directly to walls

Attaching objects without Cables – directly to the wall.

#### Wall adaptor

for signs and displays

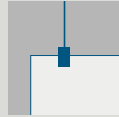
#### Wall-mounted extender

for the suspension of objects

#### Wall-mounted extender

for supporting shelves

## Attaching objects to cables



### Attaching signs and displays

Attaching displays or exhibits to tensioned or suspended cables

#### Display holder

Attaching displays or signs between or in front of cables

#### Cable- or gallery holder

Attaching pictures or exhibits to vertical cables hung from gallery tracks



### Suspension of objects from multiple cables

Attaching horizontal objects on multiple vertical cables. Suspending hub can be attached to ceiling or suspending cable.



### Attaching shelves to shelving system

#### Shelf holder

Attaching shelves to vertical cables of installed shelving system

## We recommend:

Installation of REUTLINGER cable-attachment systems is usually done in two easy steps:

### Step 1 Attaching of cables.

First attach cables or nylon wires. This can be done in 4 basic ways:

- suspension from ceiling (see page 6)
- tensioning between ceilings and floors (see page 13)
- suspension from walls (see page 16)
- tensioning on walls (see page 20)

### Step 2 Attaching object to cables

The means of attaching objects to cables or nylon wires depends on how the cables were attached.

Please do not hesitate to contact us for any questions you might have.

## Suspension from ceilings / ceiling attachments

### One-part ceiling attachments

Coupling of cable directly into ceiling attachment



**01**  
Ceiling attachment  
M6i m.R.

One-part with coupling thread M6i,  
Art. no. 029.006.200

### Two-part ceiling attachments

Coupling of cable to removable screw-cap



**02**  
Ceiling attachment  
M10x1 without bore

Two-part with coupling thread M6i,  
Art. no. 193.000.540



**04**  
Ceiling attachment  
Ellipse

Two-part with coupling thread M6i,  
Art. no. 193.005.441



**03**  
Ceiling attachment  
M8x1 short

Two-part with coupling thread M6i,  
Art. no. 193.001.380



**05**  
Ceiling attachment  
Type 15

Two-part with coupling thread M6i,  
with adjusting mechanism,  
length 28 mm, diameter 12 mm,  
flange diameter 16 mm,  
Art. no. 193.000.427



## Suspension from ceilings / ceiling attachments ›Quick‹ and ›Multiple‹

### Hinged ceiling attachment

Suspension from slanted ceilings



**01**  
**Attachment for sloped ceilings**  
**Ø 16 mm**

For slanted ceilings, two-part with coupling thread M6i, Art. no. 193.000.663



**02**  
**Holder for sloped ceilings Type 15**  
**Ø 24 mm**

For slanted ceilings, two-part with coupling thread M6i, with adjusting mechanism, Art. no. 193.000.166

### Speedsuspension Quick

No more irritating threading: simply insert the swaged-on cable end!



**02**  
**Ceiling attachment Quick**  
**Ellipse**

Art. no. 193.002.080

Also available in ›Cone‹ and ›Cylinder‹ (Custom made on customer demand only!)



**03**  
**Ceiling attachment Quick**  
**Screw-cap M13x1**

Art. no. 193.002.550

M8x1 Art. no. 193.002.560

M10x1 Art. no. 193.002.510

### Multiple-cable suspension

Speedy levelling without tools



**04**  
**Ceiling attachment**  
**triple cable**

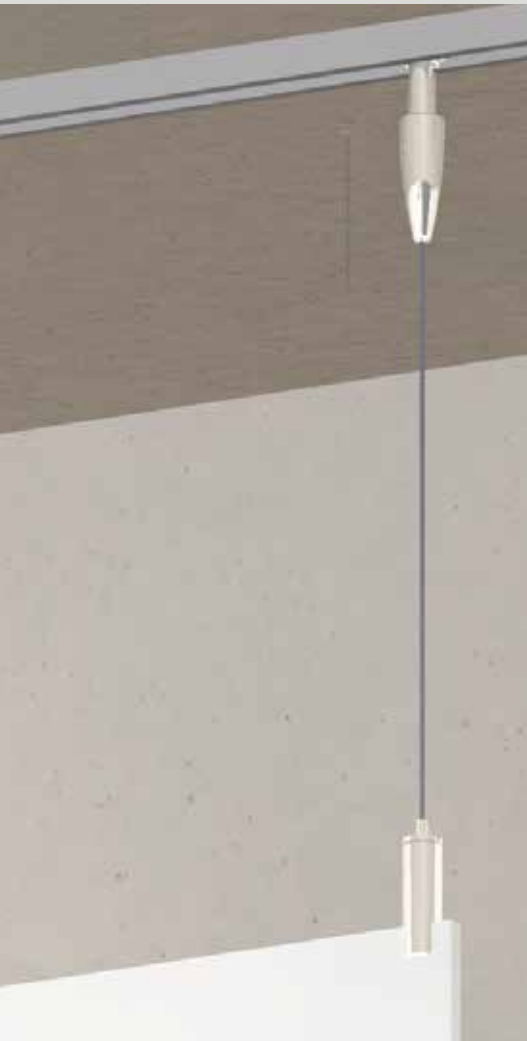
Attachment to ceiling with M6i, Art. no. 193.000.095



**05**  
**Ceiling attachment**  
**quadruple cable**

Attachment to ceiling with M6i, Art. no. 193.000.097

## Suspension from ceiling | Ceiling track & tensioner



### Flexibility on ceilings

The use of special ceiling tracks and appropriate tensioners make it possible to move a suspension from the ceiling to any desired point.



#### **01** Ceiling/Floor track aluminum

For use under or on ceiling plaster, various lengths available



#### **02** Tensioner for track Cylinder

Attachment to ceiling track,  
Art. no. 193.005.458

#### Tensioner for track Ellipse

Art. no. 193.005.449

#### Tensioner for track Cone

Art. no. 193.005.457



Ellipse



Cone



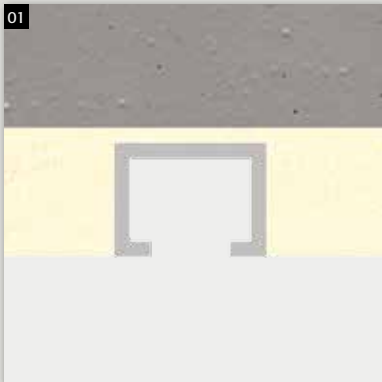
Cylinder



# Suspension from ceilings | Ceiling track & Flex track attachment

## Flex track attachment

By putting entry-bores into the ceiling profile the Flex track attachments can be inserted into it after installation.



01

### Ceiling/floor track for Flex track

Attachment with entry-bores, usable on or below ceiling plaster, available in various lengths



02

### Flex track attachment, nickel plated

Attachment to special ceiling track for Flex track attachments

#### Cylinder 13 mm

Length	15 mm
Diameter	13 mm
Art. no.	193.006.410

#### Cylinder 20 mm

Length	31 mm
Diameter	20 mm
Art. no.	193.006.414

#### Ellipse

Length	40 mm
Diameter	14 mm
Art. no.	193.006.412

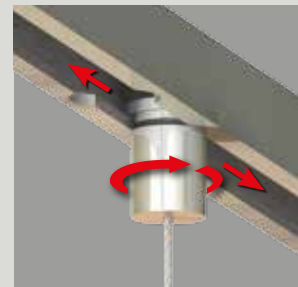
#### Cone

Length	29 mm
Diameter	20 mm
Art. no.	193.006.413

## Simple installation



1. Attach Flex track at entry-bores.



2. Move to desired position and screw tight. That's it!

## Suspension from ceilings | Track clips



- A** Track-clip for the coupling of track-clip/cable
- B** Cable, also with swaged-on terminals
- C** coupling of cable and object; i.e. hooks

REUTLINGER track clips allow you to suspend price signs and other objects easily, quickly and flexibly from common grid ceilings.

### Compatibility

REUTLINGER track-clips are compatible with common T-profiles of 24 mm and 26 mm width.

### Versatility

Aside from signs and lighting fixtures, many electronic appliances like cameras, movement detectors, blinking lights etc. can easily be suspended.

### Quick & simple installation, secure grip

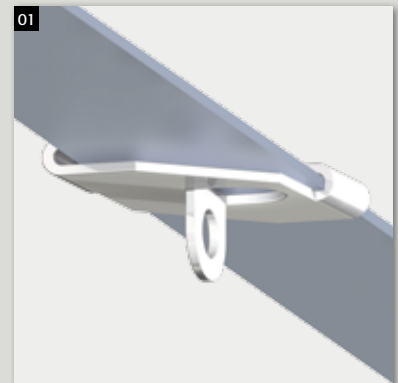
Track-clips are snapped onto the T-track with a turning movement, and provide a secure grip.

### Height adjustment without tools

Custom-made sets for infinite height-adjustment of the suspended object without tools.

### Important notice

- Curving of track after inserted and loaded clip may not exceed 4mm.
- Point loads (signs; light fixtures) must be directly attached to the concrete ceiling above the track.
- Please observe manufacturer's load specifications of T-track.



01

### Track-Clip Basic

With stoppers, white RAL 9003

interior- $\varnothing$  of eyelet 5,6 mm

WLL (DIN 18168) 20 kg

Art. no. 029.005.243



02

### Track-Clip Profi M6x10

With stoppers, white RAL 9003

coupling thread M6x10 mm

WLL (DIN 18168) 20 kg

Art. no. 029.006.027

### Information

Ask about our handy sets!  
We supply complete sets custom made to your individual requirements, consisting of components a, b and c (see illustration at left).

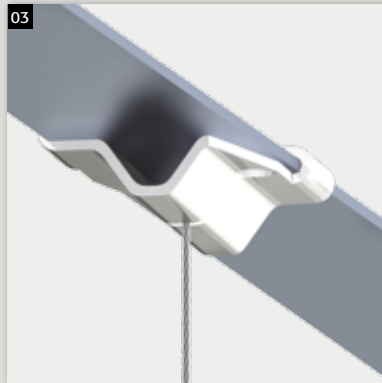
## Suspension from ceilings | Track-clips



**01**  
**Track-Clip Premium M6x11**  
 With spring clamp, white RAL 9003  
 coupling thread M6x11 mm  
 WLL (DIN 18168) 20 kg  
 Art. no. 029.005.135



**02**  
**Track-Clip Premium M6x11 zinc plated**  
 With spring clamp, zinc plated  
 coupling thread M6x11 mm  
 WLL (DIN 18168) 20 kg  
 Art. no. 029.005.335



**03**  
**Track-Clip Quick white**  
 For cables  $\varnothing$  1,0 – 1,5 mm  
 with ball sleeve 35  
 WLL (DIN 18168) 25 kg  
 Art. no. 029.006.356



**04**  
**T track-clip with bore**  
 Off-white similar to RAL 9001  
 bore 4 mm  
 WLL (DIN 18168) 5 kg  
 Art. no. 029.005.579

### Recommended combinations (more options on request)

Track-Clip	Coupling Track-Clip/Cable		Coupling Cable/Object	
	(depends on type of Track-Clips)		(independent of Track-Clip)	
<b>Basic T-Clip</b>		Wire hook with safety gate (Page 37)		Cable holder Type 15 hook (Page 30)
<b>Profi Premium</b>		Ceiling attachment M6i knurled (Page 6)		Cable holder Type 15 Bo (Page 30)
		Ceiling attachment M6i knurled wrench opening 7 (Catalog Mini, P.14)		Safety-Design-holder Type 15/18 (Page 30)
<b>Quick</b>		Cable $\varnothing$ 1,0 to 1,5 mm with ball sleeve 35 (Page 36)		Cable holder Type 12 fork (Catalog Mini P. 11)

## Suspension from ceilings | special products



**01**  
**Combination of cable holder  
 Type 15ZW M4i o.R, set screw  
 M4x10 with groove nut M4**

For use in special track (see illustration 1A) groove nut dimensions: 20 x 11 x 3mm (l x w x h),  
 Art. no. 193.001.859

**TIP!**

Later installation possible at any desired position; groove nut affixable and can't be lost.



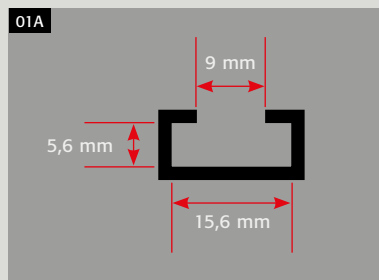
**02**  
**Magnetic holder  
 Type 10ZW M4 o.R.**

For cable diameters 0,45-1,0 mm  
 Strength of magnet 2 kg  
 Magnet height 15 mm  
 Magnet-ø 25 mm  
 Strength of magnet 2 kg  
 Holder-ø 7 mm  
 Holder-Length 19 mm  
 Art. no. 193.002.650

**Notice**

Cable and hook (illustration 2) are examples of applications.

Other combinations of magnets and holders possible.



**03**  
**Decorative Set Type 10 Hook  
 with ceiling attachment**

Stainless steel cable Ø 0,45 mm, 0,54 mm und 0,63 mm  
 tensile strength 1.570N/mm<sup>2</sup>  
 wrench-opening of hook 2,5 mm  
 WLL:  
 ø 0,45 mm 1,0 kg  
 ø 0,54 mm 2,0 kg  
 ø 0,63 mm 2,5 kg

All other type 10 holders are also suitable; see "Mini" catalogue

Adaptable to customer specifications!

Special profile compatible with article as shown in **01**. Cable holder with groove nut M4.

## Tensioning between Ceilings and Floors | Tensioners & Holders

### Vertical & Horizontal

These tensioning systems with tensioners and holders in 3 different designs are suitable for horizontal installation from wall to wall, as well as for vertical applications from ceiling to floor.

A holder and a tensioner are necessary for all suspensions.



### 01 Tensioner Ellipse

Vertically or horizontally usable with free-wheel for tensioning of cable,  
Art. no. 193.005.330

### Tensioner Cone

Art. no. 193.005.329

### Tensioner Cylinder

Art. no. 193.005.331

### Installation sequence

Please follow the recommended installation procedure when suspending with tensioners and holders (see page 15).



### 02 Holder Type 15 Ellipse

Suitable for vertical or horizontal installation with freewheel for positioning,  
Art. no. 193.005.333

### Holder Type 15 Cone

Art. no. 193.005.328

### Holder Type 15 Cylinder

Art. no. 193.005.334



### 03 Tensioning holder Type 25 VZW right/left

For Cable- $\varnothing$  to 2,5 mm,  
Art. no. 193.006.002



## Tensioning between ceilings and floors | Ceiling- and floor-track



### Flexible between ceiling and floor

The use of special ceiling- and floor-tracks and complementary tensioners and holders make it possible to move a tensioned cable without the slightest effort.



### 01 Ceiling-/floor-track aluminum

Usable on or under plaster, available in various lengths, Art. no. on demand



### 02 Tensioner for track Cylinder

Attachment to ceiling track, Art. no. 193.005.458

### Tensioner for track Ellipse

Art. no. 193.005.449

### Tensioner for track Cone

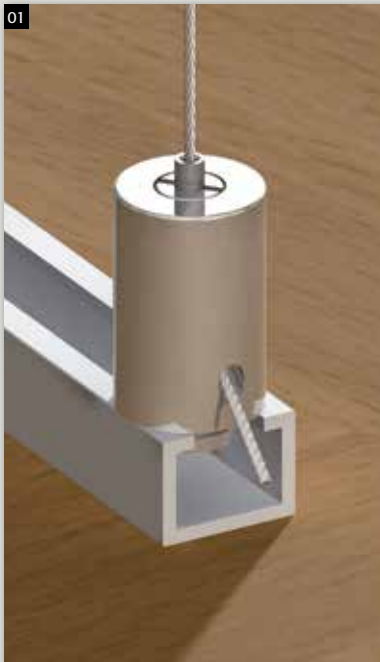
Art. no. 193.005.457

### Installation sequence

- A** Attachment of tensioner
- B** Attachment of holder
- C** Insertion of cable with sleeve in tensioner
- D** Installation of display holder
- E** Insertion of cable into holder, with preliminary tensioning
- F** Tensioning of cable by turning tensioner



## Tensioning between ceilings & floors | special solutions



01

### Holder Type 15 for track Cylinder

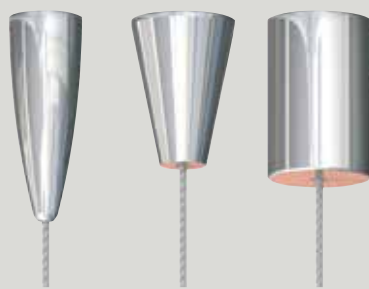
Art. no. 193.005.448

### Holder Type 15 for track Ellipse

Art. no. 193.005.446

### Holder Type 15 for track Cone

Art. no. 193.005.447



Ellipse

Cone

Cylinder

### Tensioning without attachment to floor

When neither floor-track nor holder are suitable, tensioning can be accomplished with a suspended counterweight, which provides for a taut cable.



02

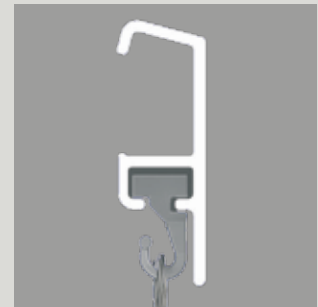
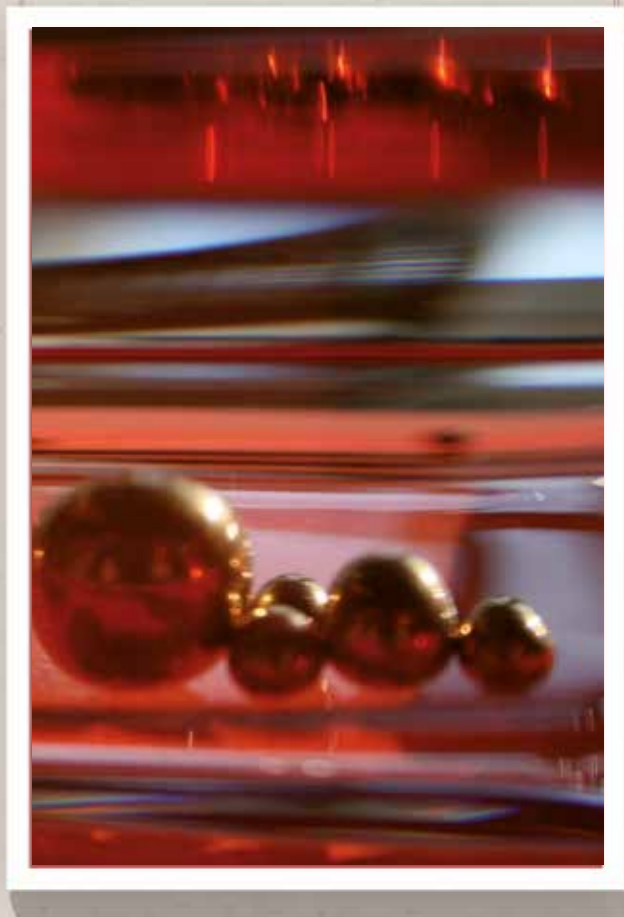
### Combination of holder Type 18 M5x10 o.R. with counterweight Ø 35x70 – M5i; nickel plated

Height of holder	20 mm
Counterweight	35 mm
Height	70 mm
Weight	appr. 500 g
Art. no.	193.005.988

Counterweights for other cable holders on demand.



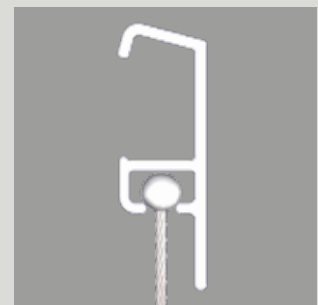
## Suspension on walls | Gallery tracks



*Coupling with sliding hook, laterally inserted. See illustration 06*



*Coupling with t-sleeve 02; laterally inserted. See page 37*



*Coupling with ball-sleeve 35; laterally inserted. See page 37*

### Simple installation on walls



1. Insert suitable dowel into wall



2. Screw in screw with clamp, washer and O-ring

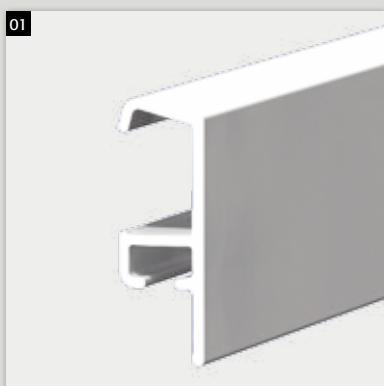


3. Attach track to upper edge of holding clamp



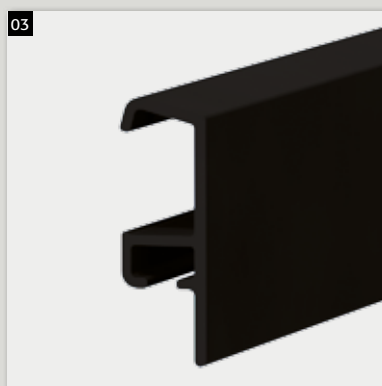
4. Press-on lower edge of track until it snaps into place. Done!

## Suspension on walls | Gallery track



**01**  
**One-part gallery track  
white**

Aluminum profile white,  
length 3.000 mm, including  
6 gliding hooks, attachment parts  
instruction sheet,  
Art. no. 029.005.213



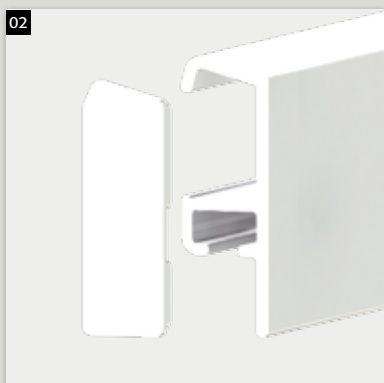
**03**  
**One-part gallery track  
black**

Aluminum profile black,  
length 3.000 mm, including  
6 gliding hooks, attachment parts  
instruction sheet,  
Art. no. 029.005.266



**05**  
**One-part gallery track  
silver**

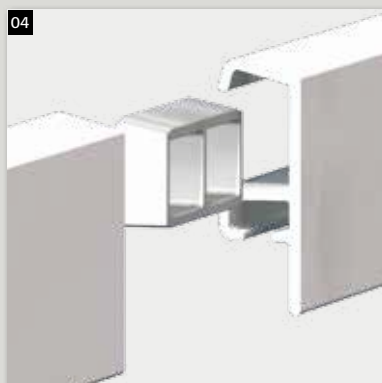
Aluminum profile silver,  
length 3.000 mm, including  
6 gliding hooks, attachment parts  
instruction sheet,  
Art. no. 029.005.211



**02**  
**End caps**

For one-part gallery track,  
one left/right each per pack

PVC white	Art. no. 029.005.217
black	Art. no. 029.005.290
silver	Art. no. 029.005.291



**04**  
**Track connectors**

For connecting one-part  
gallery tracks

PVC white	Art. no. 029.005.219
-----------	----------------------



**06**  
**Gliding hooks**

Die-cast zinc, insertable in one-part  
gallery tracks,  
Art. no. 029.005.215

## Suspension from walls | hinged tensioner



### Suspension from walls, with suitable spacing

Hinged tensioners in three different designs let you perfectly hang objects directly from the wall without being "glued" to it.

They also permit suspensions with one or more cables. This version restricts flexibility to the objects' height adjustment; horizontal placement is fixed.



01

### Hinged tensioner Cone

Usable for vertical, horizontal and diagonal applications, with free-wheel for tensioning the cable, Art. no. 193.005.374

### Hinged tensioner Ellipse

Art. no. 193.005.373

### Hinged tensioner Cylinder

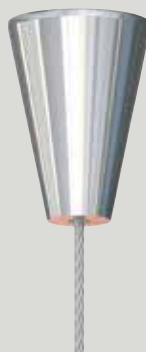
Art. no. 193.005.375

#### Installation sequence

- A** Attach tensioner
- B** Insert cable with sleeve into tensioner
- C** Install display holder
- D** Adjust to desired height by moving display holder



Ellipse



Cone



Cylinder

## Suspension on walls | Extendable Rods

### Variable & versatile

REUTLINGERs extension rods for walls can be variously used as clothing rack, extended suspension or support element for shelves.



The starting unit ›Basic‹ and its extending parts ›Plus‹ lets you realize practically all shapes and lengths.



### 01 Signage extender Basic 70

Starting element for extendable rods, length 70 mm for attaching signs with cables, Art. no. 193.005.436 (illustration not to scale)



### 02 Extension part Plus

For all extendable rods, with coupling thread, Art. no. 029.005.612

Length	Art. no.
20 mm	029.005.611
30 mm	029.005.612
40 mm	029.005.613
100 mm	029.005.614



## Tensioning on walls | Hinged tensioners and holders



### Installation sequence

- A** Attach tensioner
- B** Attach holder
- C** Insert cable with sleeve into tensioner
- D** Install display holder
- E** Insert cable into holder and then pre-tension
- F** tension cable by turning tensioner

### Tip: Horizontal tensioning

Cables tensioned with hinged tensioners or tensioning holders can also be installed horizontally, in which case cables might sag. This can be prevented by using central supports; see page 39.

### Adaptable and attractive design

Some spaces are simply not suitable for straight tensioning and suspensions. For these cases we've designed hinged tensioners and holders, which are especially useful where only one wall space is available.

Further possible applications are diagonal spans from wall to wall or tensioning on slanted ceilings.



### Hinged tensioner Cone

Suitable for vertical, horizontal and diagonal applications, usable with free-wheel for tensioning cables, Art. no. 193.005.374

### Hinged tensioner Ellipse

Art. no. 193.005.373

### Hinged tensioner Cylinder

Art. no. 193.005.375



### Holder Type 15 hinged Cone

Suitable for vertical, horizontal and diagonal applications, with freewheel for straightening, Art. no. 193.005.371

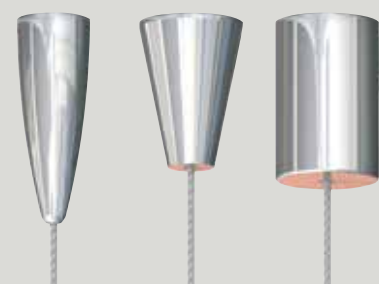
### Holder Type 15 hinged Ellipse

Art. no. 193.005.370

### Holder Type 15 hinged Cylinder

Art. no. 193.005.372

Distance from the wall is changeable by using extending elements (see page 19)



Ellipse

Cone

Cylinder



## Attaching exhibits to cable | Display holder ›Top‹



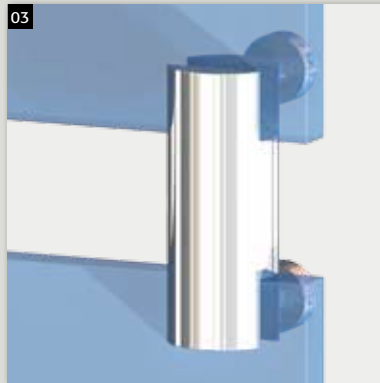
**01**  
**Displayholder Type 15 Top 65 D  
nickel plated**

With completely threaded screw for heavy displays up to 6 mm thickness, Art. no. 193.006.115



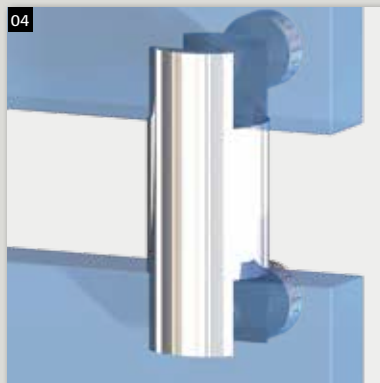
**02**  
**Displayholder Type 15 Top 100 D  
nickel plated**

With completely threaded screw for heavy displays up to 10mm thickness, Art. no. 193.006.117



**03**  
**Fork connector  
Top 65**

For displays up to 6,0mm thickness, with 2 set-screws and two affixing screws, Art. no. 193.006.004



**04**  
**Fork connector  
Top 105**

For displays up to 10 mm thickness, with 2 set screws and 2 affixing screws, Art. no. 193.006.003

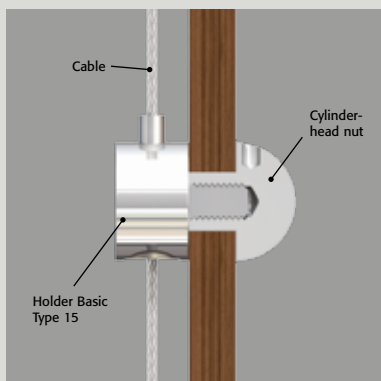
### **Tip: Affixing of displays**

Affixing displays is easily done by using the REUTLINGER screw, or nylon or steel set-screws.

All three varieties are included when ordering the holder.



## Attaching objects to cables | Displayholder ›Avant‹



Displayholder Avant 100

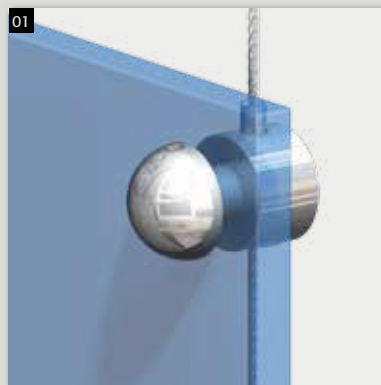
### “In front of...” or “between”?

Whether using straight or hinged tensioners, attaching the exhibit is always done the same way. Various display holders offer flexibility and unusual perspectives.

Displays can be attached to a single tensioned cable (display holder ›Avant‹) as well as between two cables (display holder ›Side‹).

### New design

REUTLINGER display holders are now available in ›Hemi-spherical

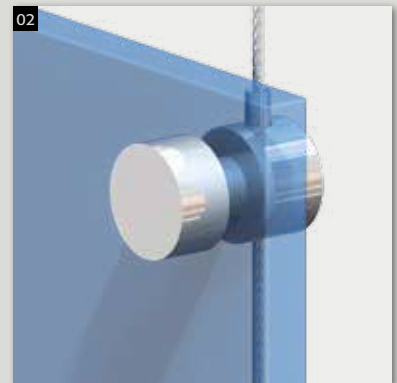


### 01 Displayholder Type 15 Avant 60 Hemi-sphere

Attachment in front of cable, for displays of 6 mm thickness, Art. no. 193.000.878

### Displayholder Type 15 Avant 100 Hemi-sphere

Attachment in front of cable, for displays of 10 mm thickness, Art. no. 193.000.879

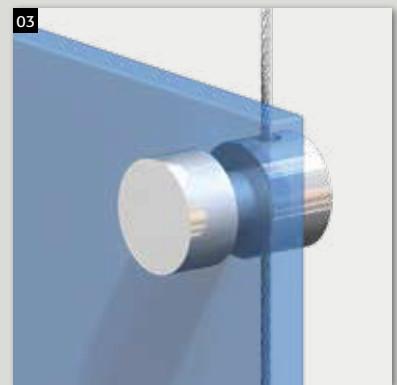


### 02 Displayholder Type 15 Avant 60

Attachment in front of cable, for displays of 6 mm thickness, Art. no. 193.005.420

### Displayholder Type 15 Avant 100

Attachment in front of cable, for displays of 10 mm thickness, Art. no. 193.005.421



### 03 Cable guide Avant 60

Guide without clamping mechanism to match holder ›Avant‹ for displays of 6 mm thickness, Art. no. 193.005.424

### Cable guide Avant 100

For Displays of 10 mm thickness, Art. no. 193.005.425

### Protecting screen Bo8

Nylon screen with 8 mm bore for the protection of acrylic and glass, and to compensate for less thick displays, Art. no. 029.005.631

### Attaching to walls without the use of cables

Simple, economical and yet high-quality: wall adaptor ›Avant‹ is suitable for attaching business signs or information plates on walls. Screw woodscrew into wall, slip on the distance ring, attach sign, screw on cover. That's all there is to it.



#### 01 **Wall adaptor Avant 8**

Attachment of displays to walls/signs of 10 mm thickness, distance sign-to-wall 8 mm,

Art. no. 193.000.757

#### **Wall adaptor Avant 15**

Attachment of displays to walls/signs of 10 mm thickness, distance sign-to-wall 15 mm,

Art. no. 193.000.758

#### **Long wall adaptor Avant 47**

Attachment of displays to wall signs of 10 mm thickness, distance sign-to-wall 47 mm,

Art. no. 193.001.900



#### 02 **Wall adaptor Avant 8 D with theft-secure attachment**

Attachment of displays to walls 10 mm thickness, distance sign-to-wall 8 mm, securing of screw-cap with set-screw M3x4, allen-key included,

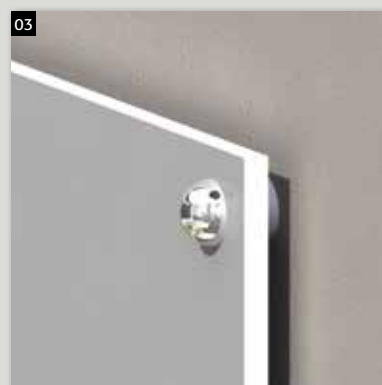
Art. no. 193.000.876

#### **Protecting screen Bo6**

Nylon screen with bore  $\varnothing$  6 mm for the protection of acrylic and glass, Art. no. 029.005.626

#### **Notice**

All wall adaptors include wood screws M6x50 (for dowel S6).



#### 03 **Wall adaptor Avant 8 Hemi-sphere**

Wall attachment for displays of 10 mm thickness, distance sign-to-wall 8 mm,

Art. no. 193.000.877

#### **Wall adaptor Avant 15 Hemi-sphere**

Wall attachment for displays of 10 mm thickness, distance sign-to-wall 15 mm,

Art. no. 193.000.895

## Attaching objects to cables | Displayholder ›Side



Not just displays, but clothing and other exhibits are easily and flexibly attached to vertical cables with display-holders Avant and Side.

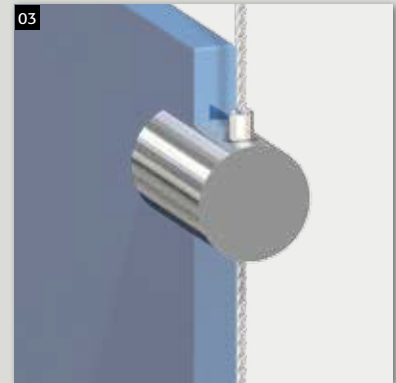


### **01** Displayholder Type 15 Side L 65

Left lateral attachment, for displays up to 6 mm thickness, Art. no. 193.001.378

### Displayholder Type 15 Side L 105

Left lateral attachment, for displays of up to 10 mm thickness, Art. no. 193.001.376

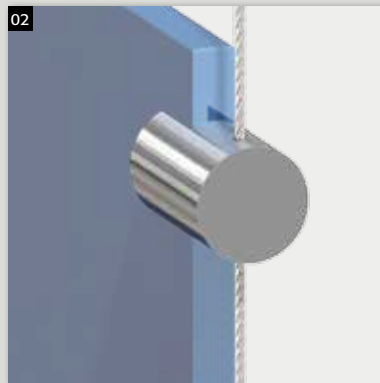


### **03** Displayholder Type 15 Side R 65

Right lateral attachment, for displays up to 6 mm thickness, Art. no. 193.001.377

### Displayholder Type 15 Side R 105

Right lateral attachment, for displays up to 10 mm thickness, Art. no. 193.001.375



### **02** Cable guide Side LR 65

Lateral cable guide left/right, for displays up to 6 mm thickness 1.5 mm, Art. no. 193.005.472

### Cable guide Side LR 105

Lateral cable guide left/right, for displays up to 10 mm, Art. no. 193.005.473

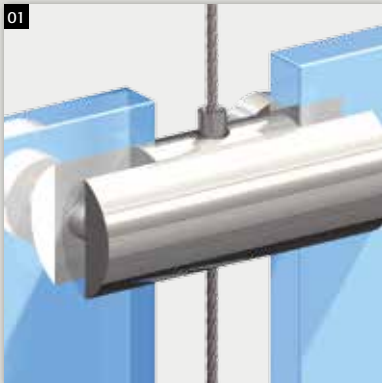
### **Cable guides**

A cable-guide (without clamping mechanism) is used for securing the bottom of objects.

This leaves both hands free for the adjustment on the top two holders

1) German utility patent  
20 2005 002 707.3

## Attaching objects to cables | Displayholder ›Side



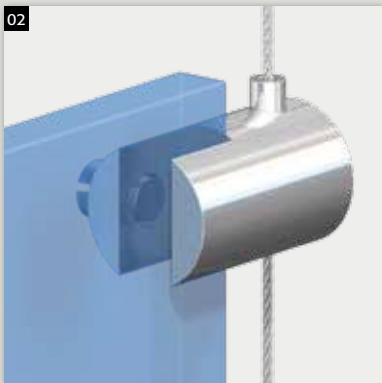
01

### Displayholder Type 15 Side M 65

For displays up to 6 mm thickness,  
Art. no. 193.001.073

### Displayholder Type 15 Side M 105

For displays up to 10 mm thickness,  
Art. no. 193.001.072



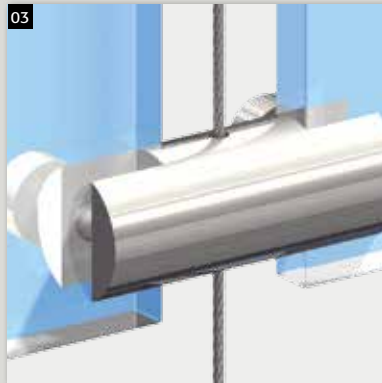
02

### Glas-Display-Holder Type 20 Side R 60

For glass thickness up to 5 mm,  
cables- $\varnothing$  up to 2,0 mm,  
Art. no. 193.001.885

### Glas-Display-Holder Type 20 Side L 60

For glass thickness up to 5 mm,  
Art. no. 193.001.890



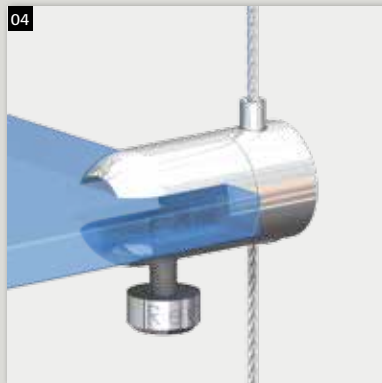
03

### Cable guide Side M 65

Guide without clamping mechanism  
suitable for holder Center, for  
displays of up to 6 mm thickness,  
Art. no. 193.006.005

### Cable guide Side M 105

For displays up to 10 mm thickness  
Art. no. 193.006.006



04

### Displayholder Type 15 Universal Soft 65

For displays up to 6 mm thickness,  
Art. no. 193.001.850

### Displayholder Type 15 Universal Soft 105

For displays up to 10 mm thickness,  
Art. no. 193.001.860



The clever suspension component for  
central attachment of displays.

### Specifically for glass panes

Holder clamps very tightly without  
damaging material (custom-made  
sizes on request).

## Attaching objects to bars | Displayholder ›Side

### New possibilities for a proven principle

The REUTLINGER system of displayholders was especially adapted for the use of 3mm spokes (bars) and threaded screw-on sleeves.



**01**  
**Bar-holder Type 30 Side 65** <sup>1)</sup>

For displays up to 6 mm thickness and bars of diameter 3 mm,  
Art. no. 193.001.071

#### **Bar-holder Type 30 Side 105**

For displays up to 10 mm thickness and bars of diameter 3 mm,  
Art. no. 193.001.070



**02**  
**Bar-guide**  
**Type 30 Side 65**

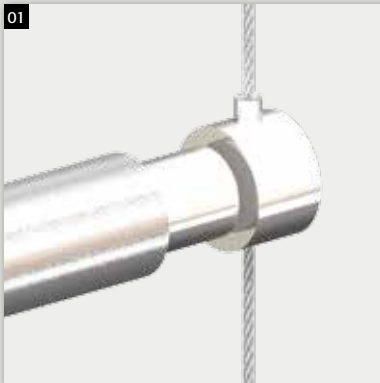
For displays up to 6 mm thickness and bars of diameter 3 mm,  
Art. no. 193.001.068

#### **Bar-guide** **Type 30 Side 105**

For displays up to 10 mm thickness and bars of diameter 3 mm,  
Art. no. 193.001.067



## Attaching objects to cables | Displayholder ›Tube‹



01

### Displayholder Type 15 Tube 16/12

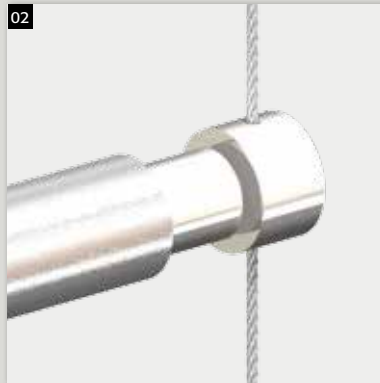
Cable attachment for pipes of interior diameter 12 mm, Art. no. 193.005.456

### Displayholder Type 15 Tube 20/16

For pipes of interior diameter 16 mm, Art. no. 193.005.460

### Displayholder Type 15 Tube 25/21

For pipes of interior diameter 21 mm, Art. no. 193.005.461



02

### Cable guide Tube 16/12

Cable guide without clamping mechanism, for interior diameters 12 mm, Art. no. 193.005.459

### Cable guide Tube 20/16

For interior diameter 16 mm, Art. no. 193.005.462

### Cable guide Tube 25/21

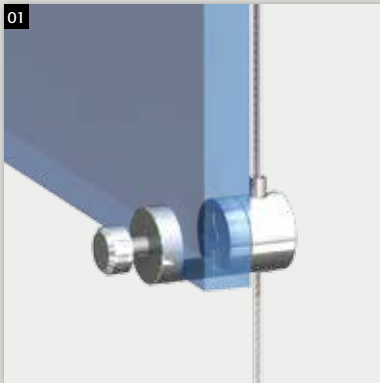
For interior diameter 21 mm, Art. no. 193.005.463

#### **Notice:**

Pipes are not included in attachments with display holders.



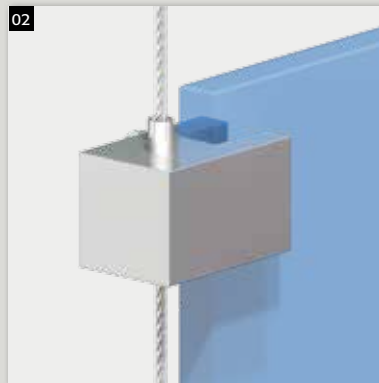
## Attaching objects to cables | Displayholders ›Frontal‹ und ›Quader‹



**01**  
**Displayholder Type 15 Frontal 105 nickel plated**

Object attachment in front of cable, for displays of up to 10 mm thickness, with 4 affixing screws

Cylinder diameter	16 mm
Length	30 mm
Art. no.	193.006.390

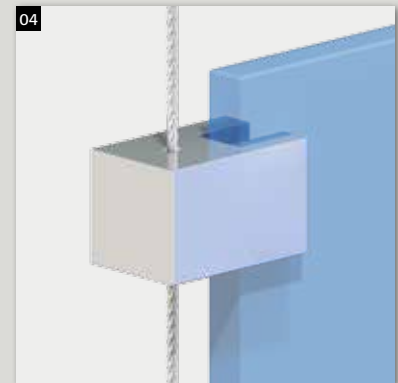


**02**  
**Displayholder Type 15 Quader L65 nickel plated**

Left lateral attachment, for displays up to 6 mm thickness, with affixing screw, Art. no. 193.006.792

**Displayholder Type 15 Quader L105 nickel plated**

For displays up to 10 mm thickness, Art. no. 193.006.791



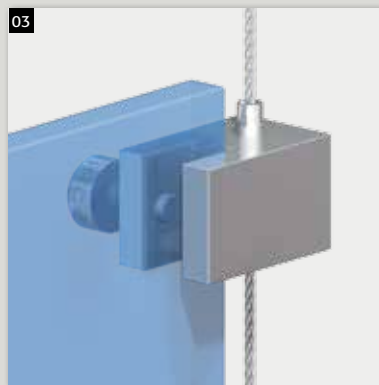
**04**  
**Cable guide Type 15 Quader LR65 nickel plated**

Lower cable-guide, suitable for Displayholder Quader L65 or R65, without clamping mechanism

Art. no. 193.006.790

**Cable guide Type 15 Quader LR105 nickel plated**

Lower cable guide, suitable for Displayholder Quader L105 oder R105, without clamping mechanism, Art. no. 193.006.789



**03**  
**Displayholder Type 15 Quader R65 nickel plated**

Analogous to 02, right side, Art. no. 193.006.787

**Displayholder Type 15 Quader R105 nickel plated**

Analogous to 03, right side, Art. no. 193.006.786

## Attaching objects to cables | Multiple-cable suspension



**01**  
Cable holder Type 18ZW  
with hub

Attaches to single cable suspension  
with cables from Ø 0.8 to 1.8 mm

3-cable version Art. no. 193.000.367  
4-cable version Art. no. 193.000.366

### Important notice!

Suspension from hub with  
maximum diameter 1,5 mm  
(3- and 4-cable-versions)



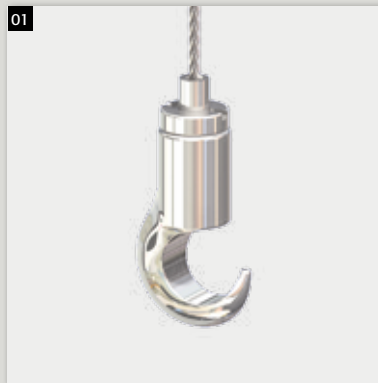
**02**  
Cable holder Type 25ZW  
with hub

Attaches to single cable suspension  
with cables-ø 2,5 mm

3-cable version Art. no. 193.000.128  
4-cable version Art. no. 193.000.046



## Attaching objects to cables | cable- and gallery holders



**01**  
**Cable holder Type 15 hook**  
 Attaches to horizontal reverse-side cable or eyelet, reduced loadability, Art. no. 193.000.163

**Cable holder Type 18 hook**  
 For vertical cables diameter 1.8 mm, Art. no. 193.000.121



**03**  
**Gallery holder Type 25 Bo6**  
 Attachment to vertical structures, for vertical cables up to diameter 2.5 mm, Art. no. 193.000.294

**Gallery holder Type 15 Bo3**  
 For vertical cables of up to diameter 1.5 mm, Art. no. 193.000.147

**Gallery holder Type 18 Bo4**  
 For vertical cables of up to diameter 1.8 mm, Art. no. 193.000.015

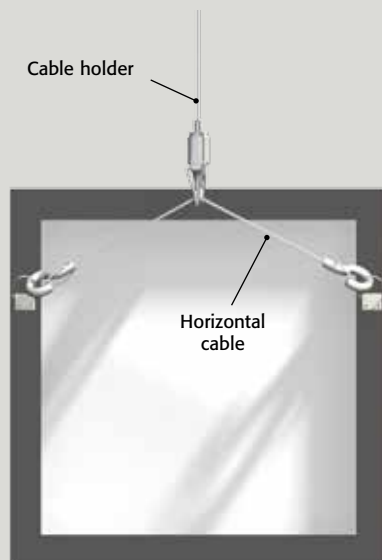


**02**  
**Safety-design holder Type 15 hook**  
 With safety gate, Art. no. 193.001.400

**Safety-design holder Type 18 hook**  
 With safety gate, for cables up to diameter 1.8 mm, Art. no. 193.001.512

European design patent  
 Nr. 000 169 594-0001 + 0002

**Great masters – masterly attached!**  
 Show to open in an hour and nothing hung yet? With the use of our gallery system it's child's play. Insert cable into holder, attach exhibit, adjust without tools! Picture is hung!



Cable holder Hook



### Wall shelves

Another useful application of holders is the combination with extendable rods.



**01**  
**Rod base Basic 40**

Initial base for extendable rods length 40 mm with O-rings provide support for shelves, Art. no. 193.005.437 (illustration reduced in scale)



**02**  
**Rod base for clothes-hanging applications Basic 40**

Initial base for extendable rods length 40 mm with washer, Art. no. 193.005.438 (illustration reduced in scale)



**03**  
**Extension element Plus**

For all extensions coupling thread, Art. no. 029.005.612

Length	Art. no.
20 mm	029.005.611
30 mm	029.005.612
40 mm	029.005.613
100 mm	029.005.614

## Shelving system | Basic construction



### A different kind of product presentation

The shelving system for exceptional exhibition of exceptional products. Multiple combination possibilities make for a highly loadable and completely secure solution for all architectural requirements. Suitable for shelves of any material. Maximum loadability varies with types of construction. We offer individual solutions on demand.



#### 01 Hinged tensioner Cone

Suitable for vertical, horizontal and diagonal applications, with free-wheel for tensioning cable,  
Art. no. 193.005.374

#### Hinged tensioner Ellipse

With elliptical cap,  
Art. no. 193.005.373

#### Hinged tensioner Cylinder

With cylindrical cap,  
Art. no. 193.005.375



#### 02 Hinged holder Type 15 Cone

Suitable for vertical, horizontal and diagonal applications, with free-wheel for tensioning cable,  
Art. no. 193.005.371

#### Hinged holder Type 15 Ellipse

With elliptical cap,  
Art. no. 193.005.370

#### Hinged holder Type 15 Cylinder

With cylindrical cap,  
Art. no. 193.005.372



Ellipse



Cone



Cylinder





01

### Shelf extender Basic 70

Initial base for extending rods, length 70 mm with thread for the attachment of tensioners, Art. no. 193.005.435 (illustration reduced in scale)



02

### Extension element Plus

For all extension rods, with coupling threads

Length	Art. no.
20 mm	029.005.611
30 mm	029.005.612
40 mm	029.005.613
100 mm	029.005.614



03

### Shelf tensioner Ellipse

Tensioning of wall-side cable on upper extension rod, with threaded adaptor, Art. no. 193.005.468 (illustration reduced in scale)

### Shelf tensioner Cone

Art. no. 193.005.466

### Shelf tensioner Cylinder

Art. no. 193.005.469



04

### Shelf holder Type 15 Ellipse

Tensioning of of wall-side cable on lower extension rod, with threaded adaptor, Art. no. 193.005.470 (illustration reduced in scale)

### Shelf holder Type 15 Cone

Art. no. 193.005.467

### Shelf holder Type 15 Cylinder

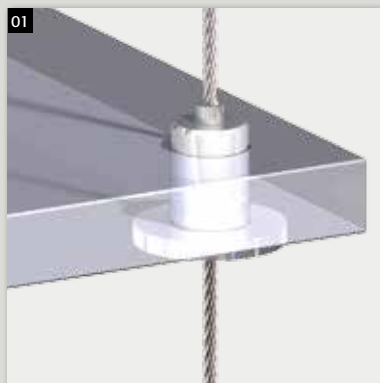
Art. no. 193.005.471

## Shelving system | Attachment to cables

### Variety and flexibility in shop-design

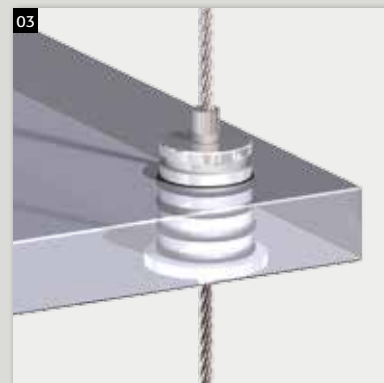
Three different shelving systems  
are available:

- lateral suspension of shelves on cables
- tensioned cable running through the shelves
- shelves placed on extendable rods



**01**  
**Shelf holder Type 15**  
**Bottom B20**

Tensioned cable runs through shelf,  
Art. no. 193.000.146



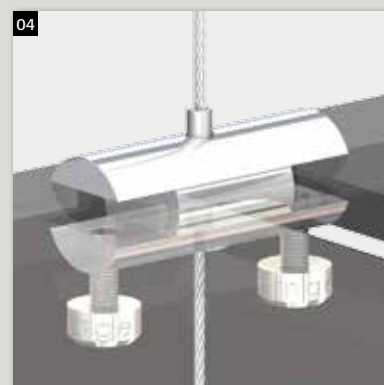
**03**  
**Shelf holder Type 15**  
**Bottom 5N10x1,5**

With O-ring, tensioned cable  
runs through shelf,  
Art. no. 193.000.144



**02**  
**Shelf holder Type 18**  
**Bottom B18**

Tensioned cable runs through shelf,  
for cable up to 1.8 mm,  
Art. no. 193.000.049



**04**  
**Shelf holder**  
**Center 65**

For horizontal displays up to 6 mm  
thickness, guides cable between  
objects, Art. no. 193.002.413

## Shelving systems | Attachment to cables

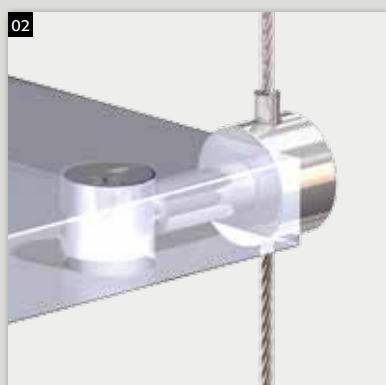


**01**  
**Shelf holder Type 15 Side 65**

Lateral attachment of shelves up to 6mm thickness, usable on left and right side, Art. no. 193.000.376

**Shelf holder Type 15 Side 105**

For shelves up to 10 mm thickness, Art. no. 193.000.375



**02**  
**Shelf holder Type 15 Side B24**

With housing, lateral gripping of shelves, usable on left and right side, Art. no. 193.006.001



**03**  
**Shelf holder Type 15 Hemi-sphere 100**

Tensioned cable runs through shelves, for shelves up to 12 mm thickness, shelf bore Ø 10.5 mm Art. no. 193.006.411



**04**  
**Combination of holder Type 10 M6x8 and drive-in nut M6x18x20; nickel plated**

Tensioned cable runs through shelves  
 Overall length 20 mm  
 Drive-in depth 18 mm  
 Coupling thread M6  
 Art. no. 193.006.383





### **A suitable cable for all uses and applications**

Depending on the exhibit's weight, the chosen combination of wall/ceiling attachments and coupling of cable/object, three different types of cables, two kinds of constructions and nylon wire are suitable.

The cables are cut and processed according to customers' requirements and equipped with suitable sleeves. This guarantees a maximum of security for the exhibits as well as safety for the visitors.

All REUTLINGER cables are twist-free, flexible and cut-proof.

#### **Stainless steel cable**

Non-rusting and acid-resistant steel cable with medium tensile strength

#### **Galvanized steel cable**

Steel cable with zinc coating and extra-high tensile strength

#### **Nylon wire**

Transparent wire with low tensile strength

## Cables | Cable types and terminals



**01**  
**Cable loop**  
Dimensions according to requirements



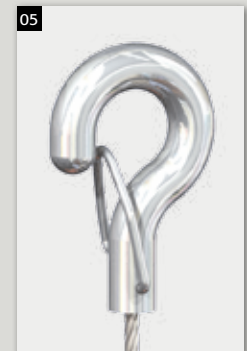
**02**  
**Nylon wire loop**  
Dimensions according to requirements



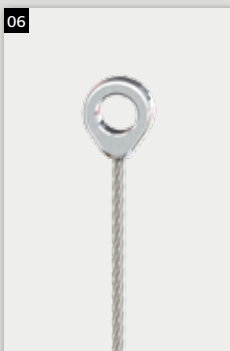
**03**  
**Z-thimble 5 mm**  
Diameter 1.5 mm



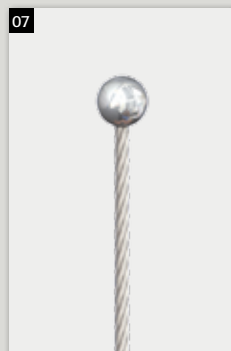
**04**  
**Wire hook**  
Hook opening 4 mm  
WLL 10 kg



**05**  
**Wire hook with safety gate**  
Hook opening 4 mm



**06**  
**Z-eyelet**  
Diameter 5.0 mm



**07**  
**Ball sleeve**  
Diameter 5.0 mm



**08**  
**Swaged eyelet**  
Diameter 5.0 mm



**09**  
**Cylindrical sleeve**  
Ø 3.5 mm or 5.0 mm, Length 6.0 mm

Cables			Terminals (cable ends)								
Cable diameter	Material Cables	Construction Cable	Illustration								
			1	2	3	4	5	6	7	8	9
1,0	Stainless	6x7+1SE 1.570 N/mm <sup>2</sup>	•			•			•	•	•
	Zinc plated	6x7+1SE 2.300 N/mm <sup>2</sup>	•			•			•	•	•
1,2	Stainless	6x7+1SE 1.570 N/mm <sup>2</sup>	•			•	•	•	•	•	•
	Zinc plated	6x7+1SE 2.300 N/mm <sup>2</sup>	•			•	•	•	•	•	•
1,5	Stainless	6x7+1SE 1.570 N/mm <sup>2</sup>	•		•	•			•	•	•
	Zinc plated	6x7+1SE 2.300 N/mm <sup>2</sup>	•		•	•			•	•	•
	Nylon		•	•					•		

### Important safety precautions

Generally only cables complying with DIN EN 12385-4, 7x7, should be used with these articles. Both galvanized and stainless steel cables are suitable. We recommend not exceeding the WLL of 25kg per cable when using cable of 1.5mm diameter, breaking load is roughly 5 times higher. Impulse loads and vibrations can seriously reduce system loadability. Always be sure that by using suitable dowels and screws, at least the working load can safely be installed on walls and floors.

Further safety notices and precautions at [www.reutlinger.de](http://www.reutlinger.de)



## Accessories | Power-feed cable - low-voltage systems - spring tensioner



When electrical power is necessary:

REUTLINGER sets with power-feed barrels are often the only solution when a suspended object needs electricity.



**01**  
Power-feed barrel set  
Holder Type 15 M10x6A and power-feed barrel M10x1 with bore.

With flat hex-nut and serrated washer, Art. no. 193.000.795



**02**  
Compensating set Type 15ZW

With coupling thread M10x1  
Art. no. 193.000.796



**03**  
Insulating holder Type 12 an low voltage power supply, nickel plated

For cables up to 1.0 – 1.2 mm, with and without insulation

Length	10 mm
Diameter	9 mm
Art. no.	193.002.040

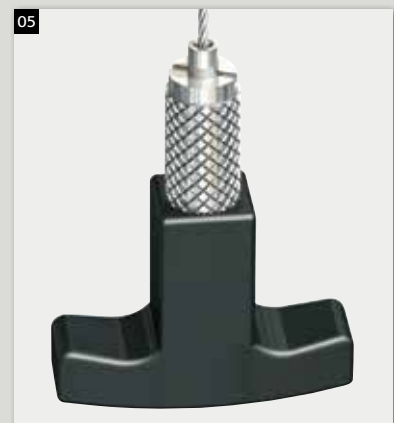
Insulated holders for other cable diameters on request.



**04**  
Spring tensioner M13x1 nickel plated, combination of ceiling attachment M13x1, washer, spring and screw cap M13x1

For cables up to 2.0 mm

Flange diameter	20 mm
Diameter	16 mm
Length	36 mm
Coupling thread ceiling	M6i
Art. no.	193.006.415



**05**  
Tensioner M6 for elastic materials, combination of holder Type 15 M6x7 m.R. and T-grip

Holder diameter	9 mm
Overall length	54 mm
Grip width	40 mm
Art. no.	193.001.896



### Valuable help with horizontal suspensions

The weight of suspended objects – and even the weight of the cables themselves – can cause horizontal cables to sag. This problem is eliminated when using central supports.



#### 01 Central support Aid 20

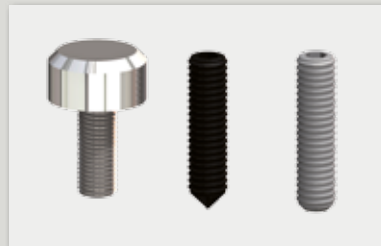
Inserted support pieces for horizontal suspensions over long distances, length 20 mm, Art. no. 193.005.416

#### Central support Aid 40

Length 40 mm, Art. no. 193.005.434

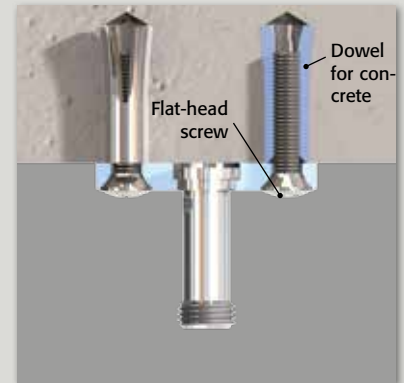
### Practice makes perfect

We are happy to share our experience in installing cable systems with our customers. This includes useful aids and accessories that make your work easier and help you save time.



### Screws and set-screws

The affixation of displays and/or shelves suspended with holders Side, Top and Universal is always done with either REUTLINGER screws, or set-screws in steel or nylon. All three variants and a suitable Allen key are always included when buying a holder.



Dowel for concrete EM5

1) Dowels available in K6x15 and K6x30 with suitable tools.



#### Dowel for concrete K6x5<sup>1)</sup>

Quick insertion into concrete ceilings, floors and walls, suitable for ceiling attachments with M6i, Art. no. 029.005.615

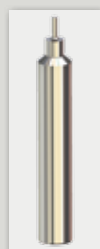


#### Dowel for concrete EM5

With interior thread M5 for all applications with attaching plates, Art. no. 029.005.627

### Concrete drill with stop K6 BB

Correct depth for concrete dowel K6, Art. no. 029.005.618



#### Drive-in tool K6x5 ESW

For installation of dowel K6x5 with all common drills, Art. no. 029.005.620

### Setting tool EM5 SWZ

For manual setting of dowels EM5, Art. no. 029.005.628



Please request the following catalogues and folders:

**Mini**

Cable holder & accessories  
Type 10, 12

**Standard**

Holders & Accessories  
Type 15, 18, 20

**Gallery**

Suspension systems for galleries  
and exhibits

**Cable Suspensions for  
Event Technology & Rigging**

Type 50, 66, 80

Have we gotten you interested?  
Do you have questions concerning  
technical details? Please give us a  
call!

**Sales & Consultations  
Germany (D-A-CH)**

Andreas Mixa  
+49 (0) 69 965228-37  
a.mixa@reutlinger.de

Hans-J. Arendt  
+49 (0) 69 965228-16  
hj.arendt@reutlinger.de

Miriam Ansorg-Riedling  
+49 (0) 69 965228-70  
m.riedling@reutlinger.de

**Sales & Consultations  
International**

Silvia Kopka  
+49 (0) 69 965228-12  
s.kopka@reutlinger.de

Stefanie Händler  
+49 (0) 69 965228-18  
s.haendler@reutlinger.de

Ana Maria Ruiz  
+49 (0) 69 965228-47  
am.ruiz@reutlinger.de

**Reutlinger GmbH**

Offenbacher Landstr. 190  
60599 Frankfurt  
Germany

Phone +49 (0) 69 965228-0  
Telefax +49 (0) 69 965228-30

E-Mail info@reutlinger.de  
Internet www.reutlinger.de

**Managing Director**  
Dipl. Ing. Wolf Reutlinger

HRB Frankfurt 33321  
USt-ID DE 114 209 718